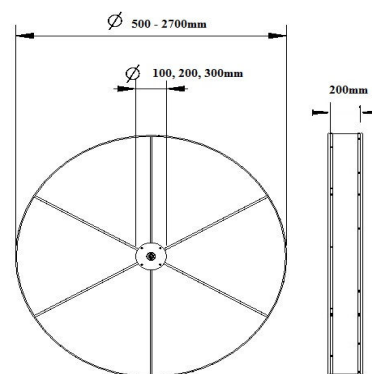


Product description

Rotor

Model WS0

Amarant condensation rotor, also called “thermal wheel”, is most suitable for standard heat recovery applications. It's built up of two layers of foil, where one is corrugated and the other totally flat. The air runs through the channel between the layers, warming up or cooling down the foil. While spinning the channels change place and when entering the opposite side, heat transfer or cooling process will take place. Efficiency depends on the rotor size plus well-height, and will increase by using smaller distance. Not to forget is that the pressure-drop is then also increasing. Condensation can occur, and drain-pan is therefor recommended.



Our technical design of the rotor secures maximum possible roundness and balance due specially designed hub, accompanied by minimum tolerance of deviation. Standard execution is strengthened by spokes on both sides, fixed in pre-defined points. This procedure guarantees maximum strength, balance and quality of the wheel. All rotors are supplied with ball-bearing and shaft, where the shaft length can be chosen by customer in different lengths, from 220mm - 250mm.

To secure highest standard in quality, no gluing of the layers or welding in rotor is used. This results in a repeatable high quality product. Airflow will be uniform through the channels and thereby conformable with the calculated air pressure drop, and superior geometry of the rotor.

Rotors available in: Aluminum, epoxy, hygroscopic and molecular sieve material.
 Available in band width:

- Aluminum and hygroscopic 200mm width.
- Molecular sieve in 100 and 200mm width.

| Rotor (min-max) mm | Width mm | Wellheight |
|--------------------|----------|-------------------------|
| 500 - 2700 | 100/200 | 1.3/1.5/1.7/1.9/2.0/2.4 |

Performance data according calculation software HeatCalc!

www.Amarantindustri.com