

EMV801

SMARTCAMS.DK

When safety matters!

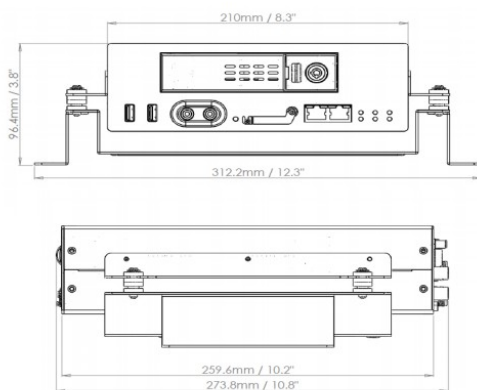
8 Channel Hybrid Mobile DVR



Feature

- Hybrid mobile DVR (supports both Analog SD and IP cameras)
- Up to 1080p resolution recording
- H.264 dual-stream video compression
- Supports HDD up to 4TB
- 1Gb Ethernet port x 2
- 3-axis G-sensor embedded
- Multiple serial interfaces
- Internal temperature control (Built-in 2 heaters)
- IR remote control function
- Aviation connectors adopted
- Archives recordings to the USB storage device
- Supports mobile applications (MobileFocus)
- Multiple network monitoring: Web viewer, Genie XMS xFleet (Server System), EF xFleet Lite (Windows Application)
- Certificates: CE, FCC, EN50155, E-Mark

Dimensions



Specifications

Model Name		EMV801	
Video Input	Number of Channels	8 CH	
	Video Compression	H.264	
Audio	Audio Inputs	8	
	Outputs	1 (RCA)	
Video Output	Video Output (Main Monitor)	BNC x 1 / RCA x 1 / VGA x 1	
	Video Output (Call Monitor)	BNC x 1	
Recording	Recording Resolution	1080p/720p/960H/D1/2CIF/CIF/QCIF	
	Recording Mode	Event, Normal + Event, Schedule	
	Recording Rate	Analog: 30fps/CH (NTSC), 25fps/CH (PAL) IP: 30 fps/CH at resolution of 1080p	
	Pre Alarm Recording	Yes	
Playback	Playback Mode	Duplex	
	Playback Search	Time / Date, event search	
Video Detection & Alarm	Alarm Inputs	8	
	Alarm Outputs	2	
	Video Loss Detection	Yes	
	Event Alarm	Yes	
Network	Ethernet	RJ-45 port x 2(10/100/1000M)	
	Wi-Fi	Optional	
	3G	Optional	
	GPS	Optional	
Storage	HDD	3.5" HDD x 1 (max 4TB) or 2.5" HDD x 1 (max 1TB)	
	SD Card	SD/SDHC Card (Max. 32 GB) – for alarm event backup recording only	
External Interface	Interfaces	RJ-45 x 2, RS-232 x1, RS-485 x1, USB x 3	
General	G Sensor	3-Axis G-Sensor embedded	
	System Control	IR Remote Control, Mouse, Web UI	
	PTZ control	Yes	
	Power Source	10-32 VDC	
	Power Consumption	20W/60W(Heater On)	
	Operating Temperature	-40°C~55°C / -40°F~131°F	
	Weight		3.65 Kg / 8.05 lbs (with mounting bracket)
			3.2 Kg / 7.05 lbs (without mounting bracket)
	Certificates		CE, FCC, E-Mark, EN50155

Kontakt Allan Lind-Petersen for yderligere info/priser.

Tlf: 0045 50493500

E-mail: support@smartcams.dk

EverFocus®