

Drive sets and Control units.

Our drive systems and control unit comes from well reputed company as:
IBC Automatic and

Both constant speed drive, drive sets and control units are adapted to fit with requested rotor size and function. Drives are chosen depending on rotating speed and rotor size. All drives are secured as standard by a thermal contact and as option can be equipped with rotating sensor.

The rotation sensor stops the control unit and alarms if the wheel stops rotating.

Input signal 0 – 10 V

The speed of the heat exchanger and its efficiency is regulated stepless by the control unit so that the speed of the wheel is in proportion to the input signal from the central control. If the input signal is below the set up threshold value, the wheel will stop.

Cleaning function

When the wheel has been stopped for 10 or 30 minutes, the cleaning function is activated and the wheel rotates, to keep it clean.

Working conditions

from -30°C up to +45°C IBC Automatic

Constant speed -

VP0500VKCEE – VP3000VKCEE

Made by IBC Automatic

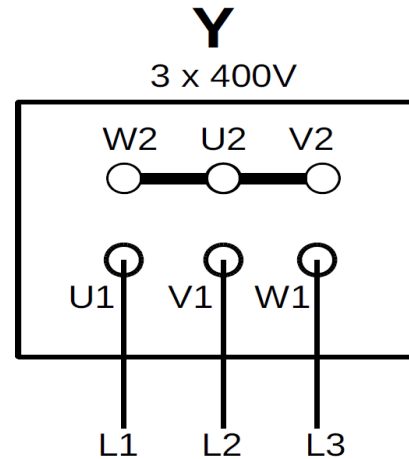
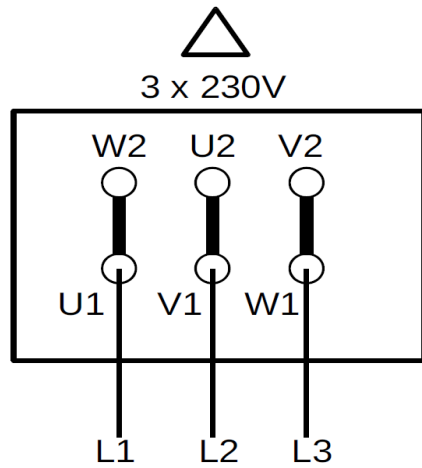
Drive sets and control units -

VariMax series 25, 50 and 100 – by IBC Automatic

MicroMax series 25, 90, 180, 370 and 750 – by IBC Automatic

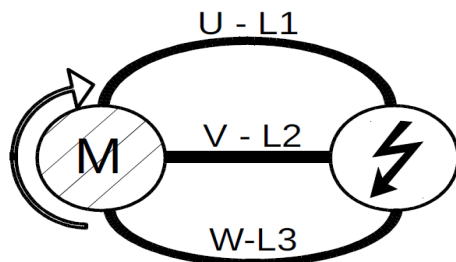
Drive and control option rotor size Ø 500 – Ø 3900 mm		
Unit	Rotor size in mm	
IBC Varimax 25	Alu/Epoxy 500 - 1500, Hygro 500 - 1200	3 x 230 V, 110 W
IBC VariMax 50	Alu/Epoxy 500 – 2500, Hygro 500 – 2000	3 x 230 V, 240 W
IBC VariMax 100	Alu/Epoxy 500 – 3900, Hygro 500 - 3000	3 x 230 V, 500 W
IBC MicroMax 25	Alu/Epoxy 500 – 800	3 x 230 V, 25 W
IBC MicroMax 90	Alu/Epoxy 800 – 1500	3 x 230 V, 90 W
IBC MicroMax 180	Alu/Epoxy 1500 - 2500	3 x 230 V, 180 W
IBC MicroMax 370	Alu/Epoxy 2500 – 3500,	3 x 230 V, 370 W
IBC MicroMax 750	Alu/Epoxy 3500 - 3900	3 x 230 V, 750 W
IBC Constant 25	Alu/Epoxy/Hygro 500 – 800	3 x 230 V, 25 W
IBC Constant 90	Alu/Epoxy/Hygro 800 – 1500	3 x 230 V, 90 W
IBC Constant 180	Alu/Epoxy/Hygro 1500 - 2500	3 x 230 V, 180 W
IBC Constant 370	Alu/Epoxy/Hygro 2500 - 3000	3 x 230 V, 370 W

3-phase AC in accordance with the following specification

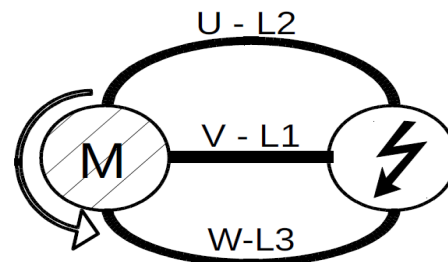


Motor rotation

Clockwise



Anti clockwise



IMPORTANT!

All electrical work must be performed by qualified electrician!!!