

PROFESSIONAL ECOSOFT MO24000 4" REVERSE OSMOSIS SYSTEM

APPLICATIONS

Steam boilers, heating and cooling circuits, breweries and beverage production, livestock and poultry farms, glazing factories, laundry and car wash etc.

EQUIPMENT

- Grundfos® CM 3-14 pump
- 300 psi membrane housings
- BB20 sediment prefilter
- Electrical panel with Ecosoft controller
- Danfoss solenoid valves
- Piping, instrumentation
- Steel frame
- Wooden crate

KEY FEATURES

- Ecosoft controller OC5000
- Easy to use thanks to smart architecture
- Modularized architecture for adding permeate flushing or raw water blending assembly to the system
- Grundfos worldwide guaranty
- CE marked and confirmed to be safe in accordance with EC New Approach Directives

OPTIONS

- Filmtec™ XLE-4040 / LCLE-4040 or Ecosoft ELP-4040 membrane
- Dosing pump for antiscalant
- Versatile set for raw water blending (120...1080 L/h) or permeate flushing

PHYSICAL PARAMETERS

Influent water, concentrate, permeate	G 1"
Antiscalant dosing port	G ½"
Permeate flushing input port	G 1"
Raw water blending port	G ¾"
Approx. weight (bare system / crate)	110 kg 150 kg
Dimensions (bare system, W × D × H)	0.70 × 0.60 × 1.50 m
Dimensions (crate, W × D × H)	1.00 × 0.75 × 1.90 m



Ecosoft reserves the right to amend the product's system architecture provided that its functionality and usability will not deteriorate

PROFESSIONAL ECOSOFT MO24000 4" REVERSE OSMOSIS SYSTEM

Code	Product	Flow rate, L/h (GPH)	Membranes**	Pieces on pallet
MO24000TP5	Ecosoft MO24000 RO System	1000–1200 (250–330)	4/40 x 40	1

** Membranes are not included in the package

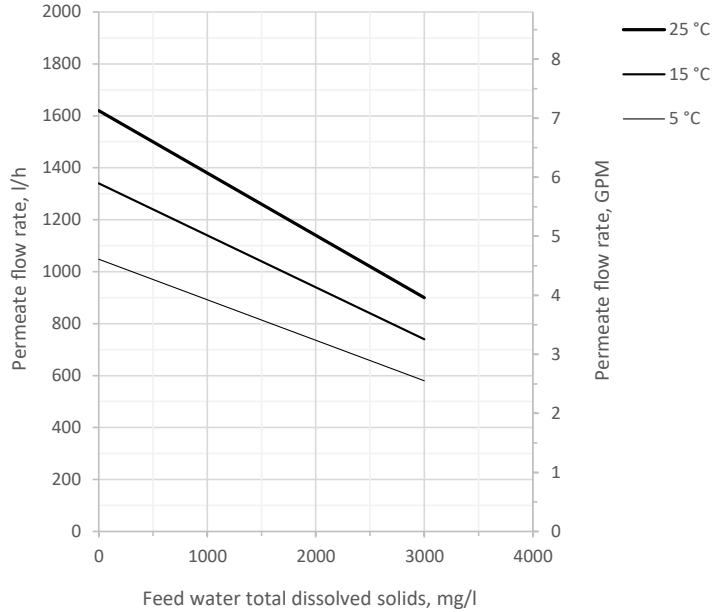
TECHNICAL SPECIFICATION

Permeate capacity ¹	1000 L/h
Permeate recovery ²	75%
Maximum TDS	3000 mg/L
Influent flow demand	1300...1500 L/h (service) 3000...4000 L/h (rinse)
Operating pressure	8...12 bar
Maximum pressure	14 bar
Electrical requirements	230 V, 50 Hz (1 ph)
Electrical power	2 kW
Pre-filter rating	5 µm

¹ depends on feed water TDS, temperature, and permeate recovery — see graph on the right

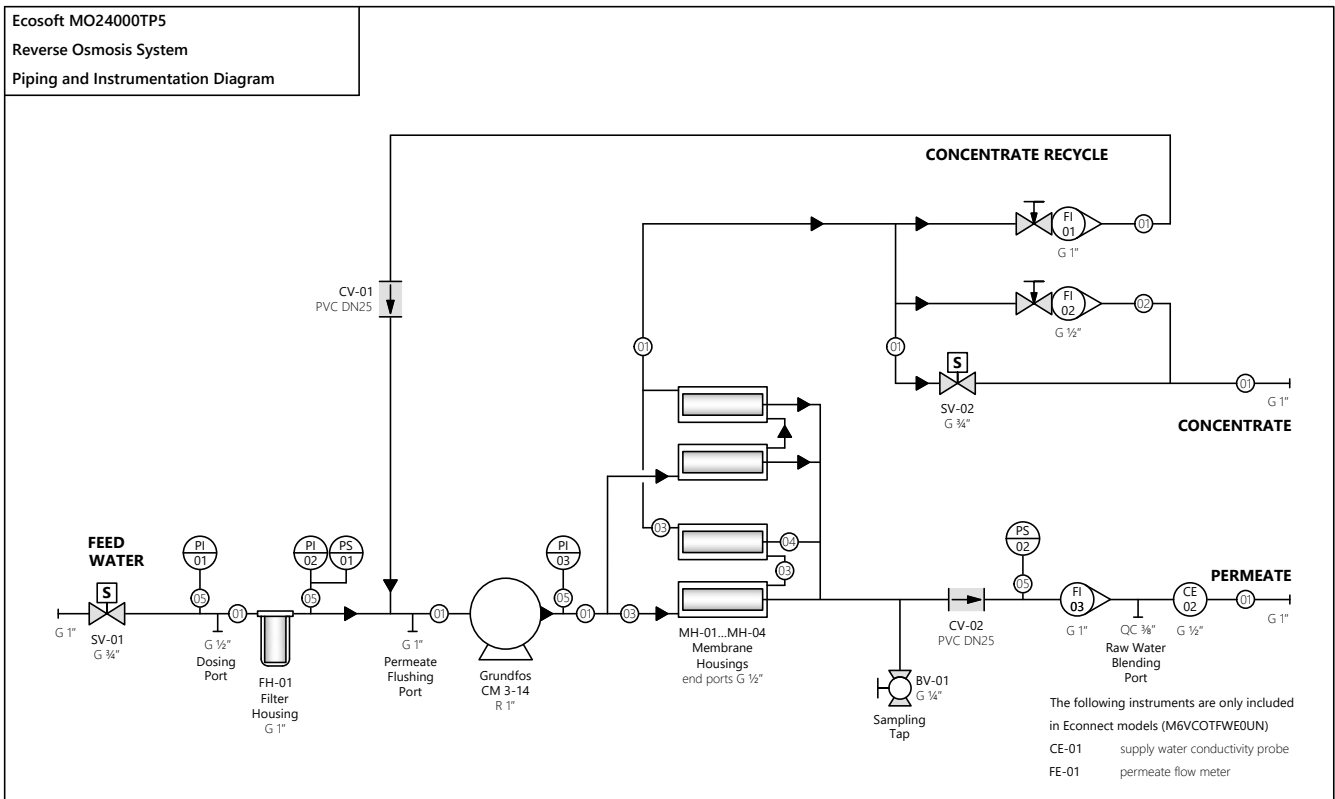
² for low scaling/fouling water

ECOSOFT MO24000 FLOW CAPACITY (WITH XLE-4040 MEMBRANES)



Permeate flow rates are calculated under the following conditions:
 • 2 bar influent water pressure
 • 0 bar backpressure in the permeate line
 • fresh membranes
 • XLE-4040 membranes

PIPES AND INSTRUMENTS DIAGRAM



PIPES AND CONNECTIONS	VALVES	INSTRUMENTS
<ul style="list-style-type: none"> —○— PVC pipe 32 mm O.D. —○— PVC pipe 20 mm O.D. —○— PE hose 1/2" O.D. —○— PE hose 3/8" O.D. —○— PE hose 1/4" O.D. 	<ul style="list-style-type: none"> G parallel BSPT thread R tapered BSPT thread PVC polyvinylchloride (solvent weld) PE polyethylene QC quick connect collet fitting 	<ul style="list-style-type: none"> S Solenoid Valve N Needle Valve CV Check Valve BV Ball Valve
		<ul style="list-style-type: none"> PI Pressure gauge (panel mount) PS Pressure switch (panel mount) FI Rotameter CE Conductivity probe (process mount) FE Flow meter (process mount)